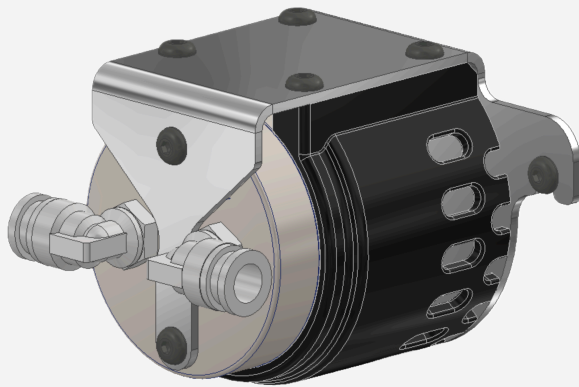


## Lab Tank IDS Fill & Drain Pump

This Gear Pump offers bidirectional operation, enabling both controlled filling and efficient draining within a single compact unit. Its dynamically adjustable flow control ensures precise regulation of filling speed and pressure for stable performance with any fluid.

With its low-pulsation drive design, the pump delivers exceptionally smooth and consistent flow, ideal for demanding inkjet, laboratory, and high-precision industrial applications.

### Lab Tank IDS Fill & Drain Pump Specifications



Flow Direction	Bi-directional
Maximum Pressure	+15 bar
Filling Pressure Control Accuracy	+/- 1 mbar
Max Flow Rate ( <i>adjustable</i> )	350 or 700 ml/min
Fluid Viscosity Range	0.3 - 1,000 mPas
Fluid Temperature Range	Up to 95°C
Pump Materials	316L Stainless Steel
Gears	PEEK
O-ring options	EPDM, Silicone, FKM
Power Supply	24 V
Connectivity to Lab Tank	Tank 2 - Molex Port
Physical Dimensions	100 x 75 x 65 mm (L x W x H)
Weight	Approx. 0.7 kg

